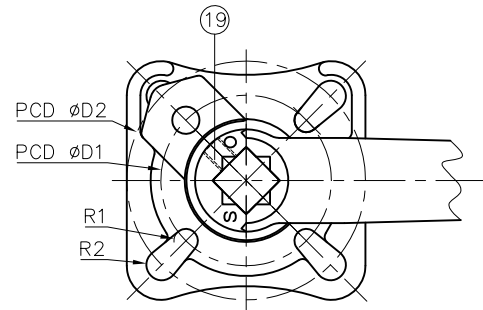
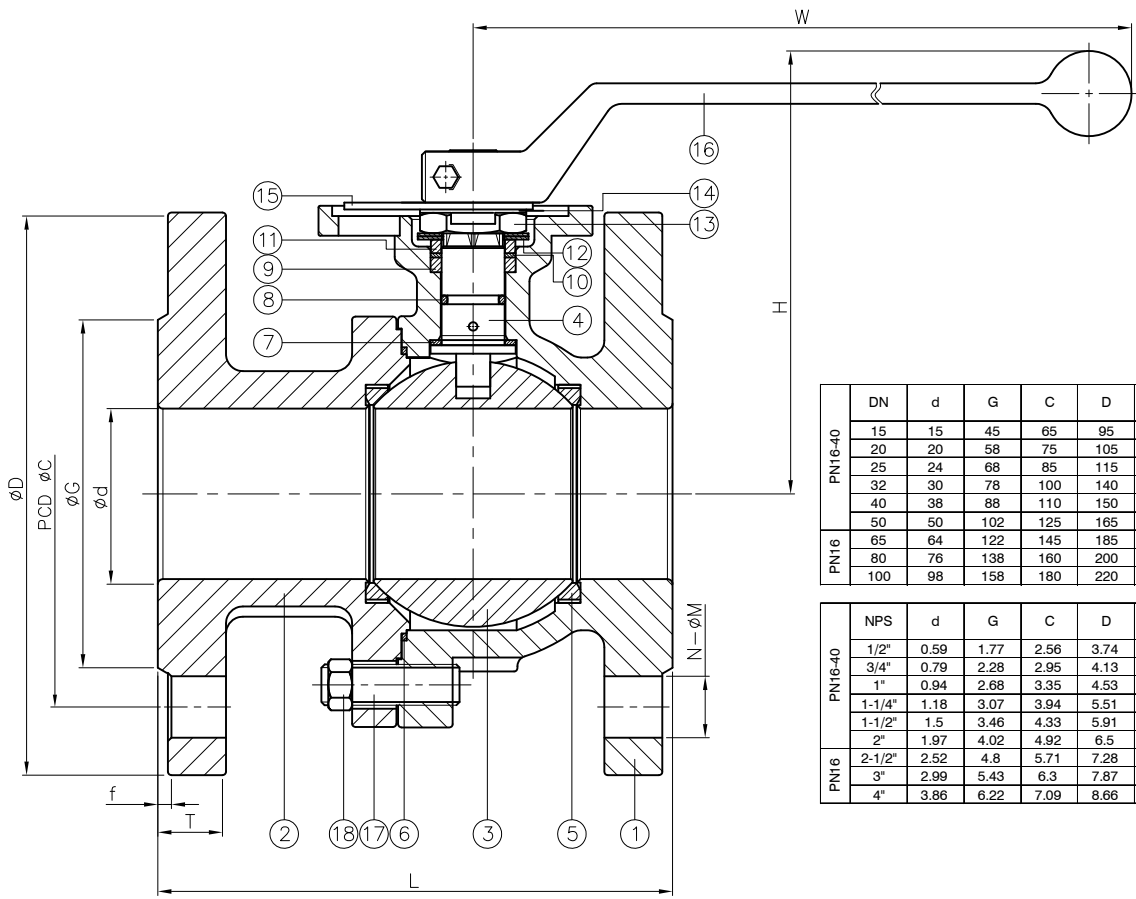


Ra	0.2	▽▽▽
	1.6	▽▽
	6.3	▽
	25	▽
GENERAL TOLERANCE	± 0.1 ± 0.2 ± 0.3 ± 0.5 ± 0.8	



- FEATURES :
- FACE TO FACE : EN 558-1 R27
  - FLANGE END : EN 1092-1
  - WALL THICKNESS : EN 12516-1
  - API 607 FIRE SAFE APPROVED
  - TEST : EN 12266-1



ITEM	PARTS	MATERIAL	
		1.4408 KH2FD16IIT	1.0619 KH2FD16AIT
1	BODY		
2	CAP		
3	BALL	ASTM A351-CF8M	
4	STEM	ASTM A276-316	
5	SEAT	RTFE / TFM1600	
6	SEAL	GRAPHITE	
7	THRUST WASHER	CTFE	
8	O-RING	VITON	
9	PACKING A	GRAPHITE	
10	PACKING B	CTFE	
11	GLAND RING	AISI 304	
12	BELLEVILLE WASHER	AISI 301	
13	NUT	AISI 304	
14	LOCK WASHER		
15	STOPPER		
16	HANDLE		
17	STUD		
18	NUT		
19	SOCKET SET SCREWS		

PN16-40	DN	d	G	C	D	L	H	W	T	f	D1	D2	R1	R2	N	M	Torque (N-m)		Weight (kg)
																	Action	Breakaway	
	15	15	45	65	95	115	87	190	16	2	36	42	2.75	2.75	4	14	3	5.2	2.3
	20	20	58	75	105	120	90.5	190	18	2	36	42	2.75	2.75	4	14	4.7	8	2.9
	25	24	68	85	115	125	92.4	190	18	2	42	50	2.75	3.5	4	14	9	12.5	3.9
	32	30	78	100	140	130	106.9	190	18	2	42	50	2.75	3.5	4	18	11	14	5.5
	40	38	88	110	150	140	121.9	235	18	3	50	70	3.5	4.5	4	18	18	24.5	7.3
	50	50	102	125	165	150	129.9	235	20	3	50	70	3.5	4.5	4	18	23	32	10
	65	64	122	145	185	170	155.8	325	18	3	70	102	4.5	5.5	4	18	27	38	15.3
	80	76	138	160	200	180	162.3	325	20	3	70	102	4.5	5.5	8	18	30	45	19.4
	100	98	158	180	220	190	190.9	325	20	3	102	125	5.5	6.5	8	18	37	55	25.7

PN16-40	NPS	d	G	C	D	L	H	W	T	f	D1	D2	R1	R2	N	M	Torque (in-lb)		Weight (lb)
																	Action	Breakaway	
	1/2"	0.59	1.77	2.56	3.74	4.53	3.43	7.48	0.63	0.08	1.42	1.65	0.11	0.11	4	0.55	26.6	46	5.1
	3/4"	0.79	2.28	2.95	4.13	4.72	3.56	7.48	0.71	0.08	1.42	1.65	0.11	0.11	4	0.55	41.6	70.8	6.4
	1"	0.94	2.68	3.35	4.53	4.92	3.64	7.48	0.71	0.08	1.65	1.97	0.11	0.14	4	0.55	79.7	110.6	8.5
	1-1/4"	1.18	3.07	3.94	5.51	5.12	4.21	7.48	0.71	0.08	1.65	1.97	0.11	0.14	4	0.71	97.4	123.9	12.1
	1-1/2"	1.5	3.46	4.33	5.91	5.51	4.8	9.25	0.71	0.12	1.97	2.76	0.14	0.18	4	0.71	159.3	216.8	16
	2"	1.97	4.02	4.92	6.5	5.91	5.11	9.25	0.79	0.12	1.97	2.76	0.14	0.18	4	0.71	203.6	283.2	22
	2-1/2"	2.52	4.8	5.71	7.28	6.69	6.13	12.8	0.71	0.12	2.76	4.02	0.18	0.22	4	0.71	239	336.3	33.7
	3"	2.99	5.43	6.3	7.87	7.09	6.39	12.8	0.79	0.12	2.76	4.02	0.18	0.22	8	0.71	265.5	398.3	42.9
	4"	3.86	6.22	7.09	8.66	7.48	7.52	12.8	0.79	0.12	4.02	4.92	0.22	0.26	8	0.71	327.5	486.8	56.7

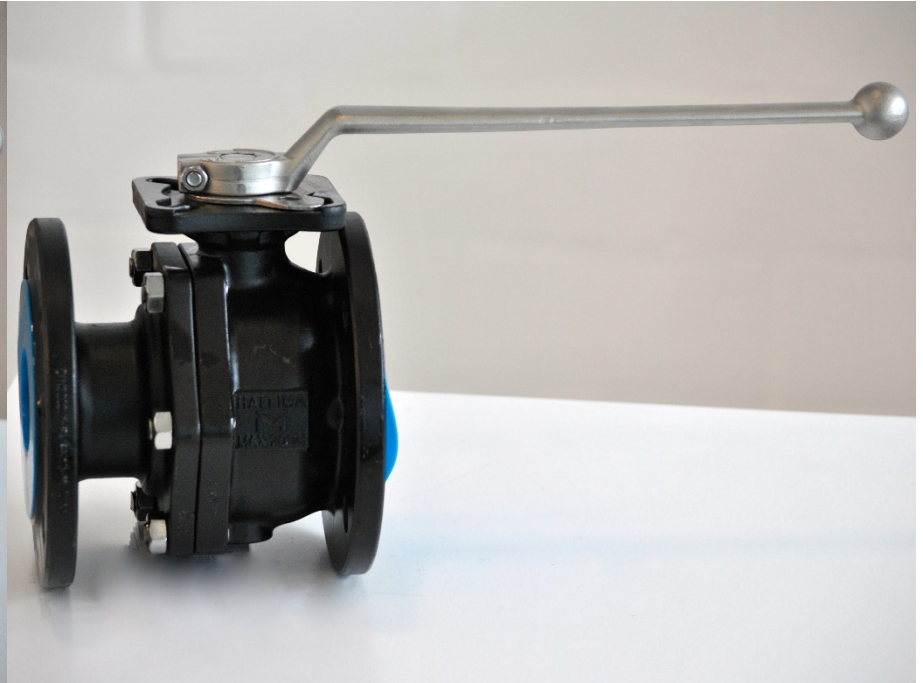


CHECK BY	DRAWING BY	DATE	SPECIFICATION	2-PC Flanged End Ball Valve PN16/40
		Jul.22.2014	MATERIAL	CF8M/WCB
			PROCESS/Nr.	
			UNIT / SCALE	mm

△			
△			
△	Revise	Description	Date Approve
	DRAWING NO. KH2FD16AIT & KH2FD16IIT		



KH2FD16IIT



KH2FD16AIT